



INSTRUCTIONS

-J02805

REV. 08-26-2003

Kit Number 29642-04

“SPORTSTER” AIR CLEANER COVER INSERT KIT

al

ts all 2004 and later XL (Sportster®) model motor-

Service Parts illustration for kit contents.

ation

Figure 1. Remove and discard the existing insert mounting screws. Remove the original insert from the face of the air cleaner cover, and discard.

the Service Parts Illustration. Place the new “Sportster” insert (1) on the face of the air cleaner cover, lining it up with the mounting holes in the cover.

the stock air cleaner: Install the insert with the washers (4) and the shorter screws (2) from the kit.

n Screamin’ Eagle® Sportster High-Flow Air Cleaner Kit 29042-04: Install the insert with the washers and the longer screws (3) from the kit.

ten the screws to 36-60 in-lbs (4.1-6.8Nm).

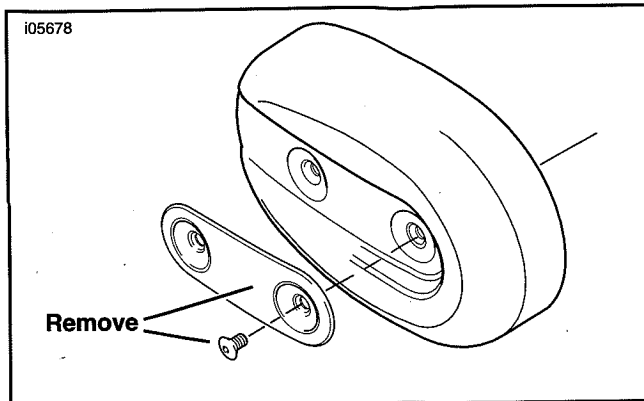


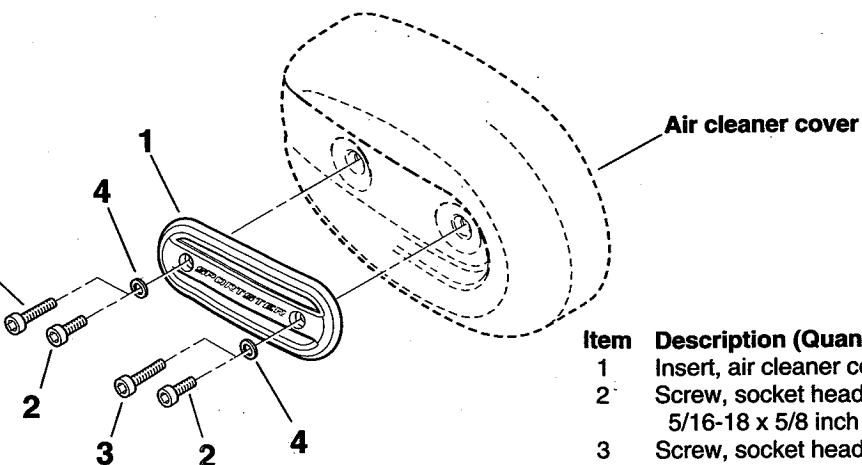
Figure 1. Remove existing screws and insert

Service Parts

Part No. 29642-04

Date 08/03

“Sportster” Air Cleaner Cover Insert



Item	Description (Quantity)	Part No.
1	Insert, air cleaner cover	Not sold separately
2	Screw, socket head (Chrome), 5/16-18 x 5/8 inch long (2)	94331-91TS
3	Screw, socket head (Chrome), 5/16-18 x 1 inch long (2)	94334-91TS
4	Washer, flat (Chrome) (2)	Not sold separately